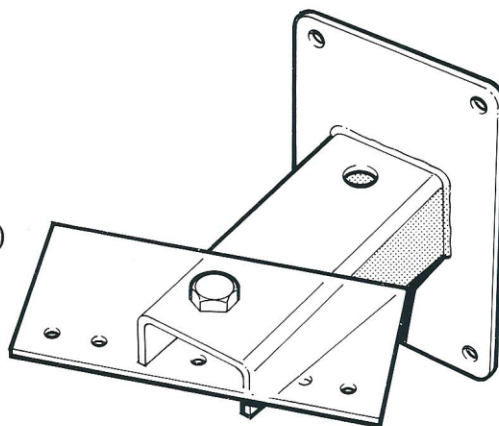


Flood Lighting Brackets

Wall Bracket

Part Number	FL/2350
-------------	---------

- Flat Wall
- Projection 300mm (standard)
- Stirrup fixing plate
- Galvanised to BS 729

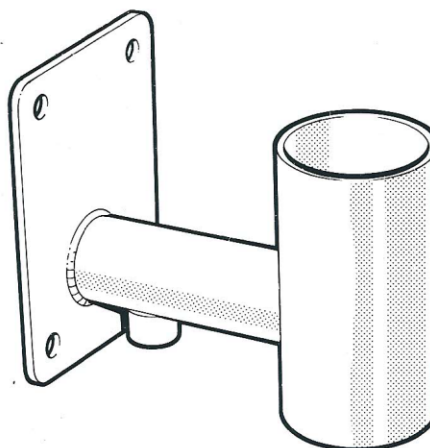


Flood Light Mounted Bracket

Part Number	FL/2355
-------------	---------

- Cable entry 20mm
- Spigot size 60 and 76mm
- Projection 150 to 300mm

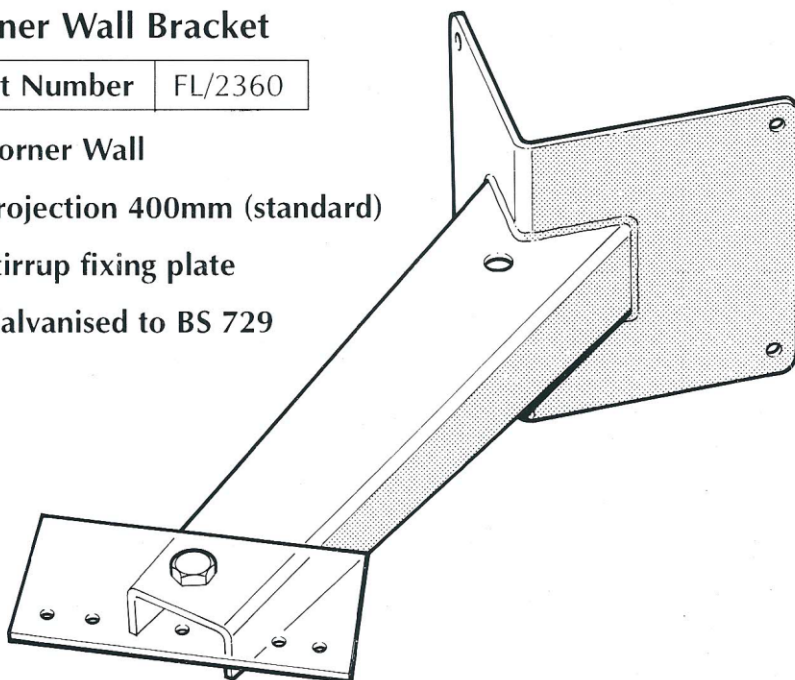
Will mount to walls, buildings etc.
Corner version also available.



Corner Wall Bracket

Part Number	FL/2360
-------------	---------

- Corner Wall
- Projection 400mm (standard)
- Stirrup fixing plate
- Galvanised to BS 729



YOUR REQUIREMENTS	
Part Number	Projection