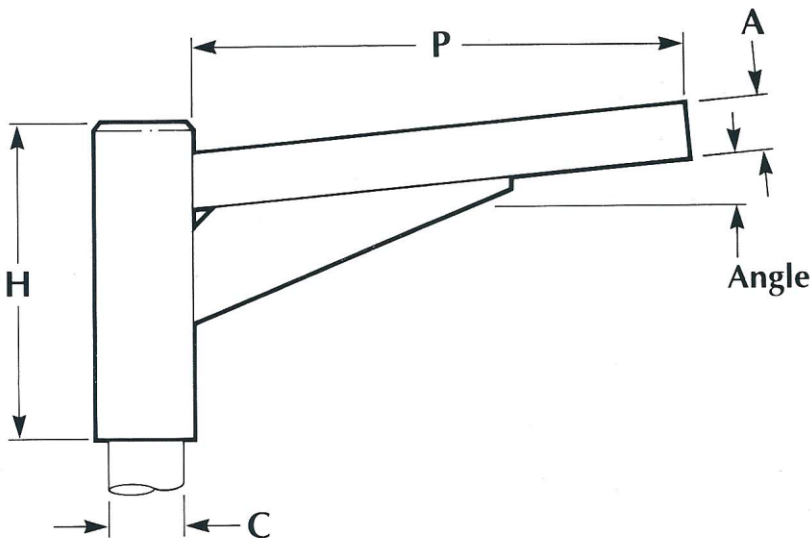
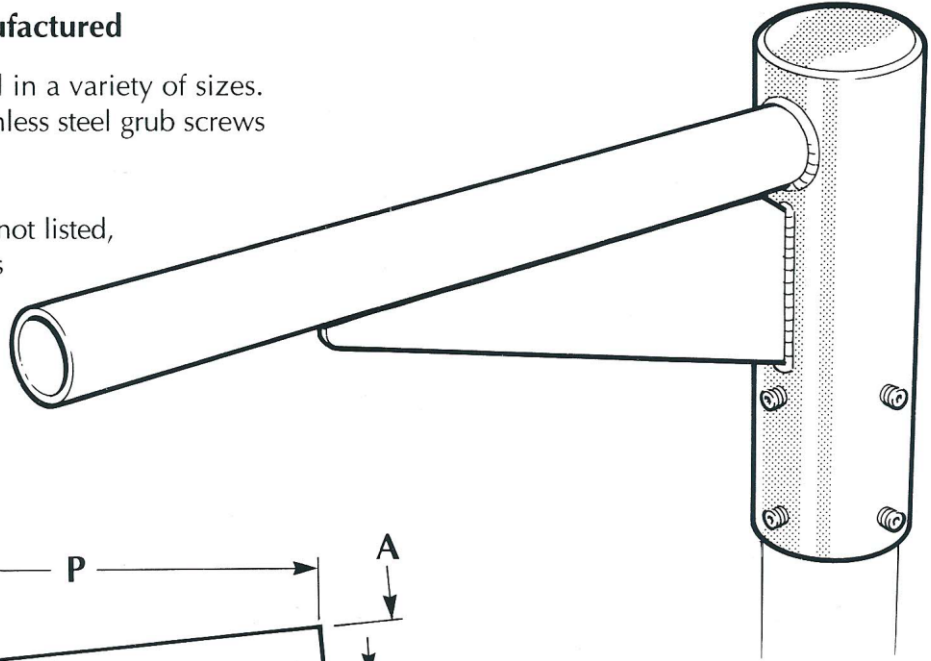


Column Arm Bracket

- Single or double arms
- Any design and size manufactured

Column arms are manufactured in a variety of sizes. Each bracket is fitted with 8 stainless steel grub screws and galvanised to BS 729.

If the required size of bracket is not listed, please specify your requirements in the table below.



STANDARD BRACKET SIZES								
Part Number	C	A	H	P	Arm Angle	Arm Support	Arms	Finish
CA/3055	76	34	250	500	5°	No	Single	Galv.
CA/3060	89	42	300	500	5°	No	Single	Galv.
CA/3065	89	42	300	1000	5°	No	Single	Galv.
CA/3070	89	42	300	2000	5°	Yes	Single	Galv.

YOUR REQUIREMENTS								
C	A	H	P	Arm Angle	Arm Support	Arms	Finish	